

87 D

CONVECTION | Oven and Stove

 wallas®



WARRANTY
2+1 YEARS



The Greenboost burner burns renewable fossil-free diesel cleanly and energy-efficiently, as well as fossil based diesel fuel.

Exhaust gas is safely expelled outside keeping the indoor air clean and odorless.

Fully enclosed laminar burning process ensures a quiet sound level and dries the indoor air.



Feeding fuel directly from the main tank of the vessel saves space and eliminates the need for a separate tank.

Durable Finnish design and manufacturing keep your Wallas running through tough weather conditions.

Unlike propane cooking systems, Wallas 87 D diesel stove-oven does not require gas inspections.



Wallas 87 D is a combination of 86 D oven and 85 DP stove.

Domestic style convection oven cooks evenly.

Thermo sensors maintain a precise temperature level for fast and accurate cooking times.

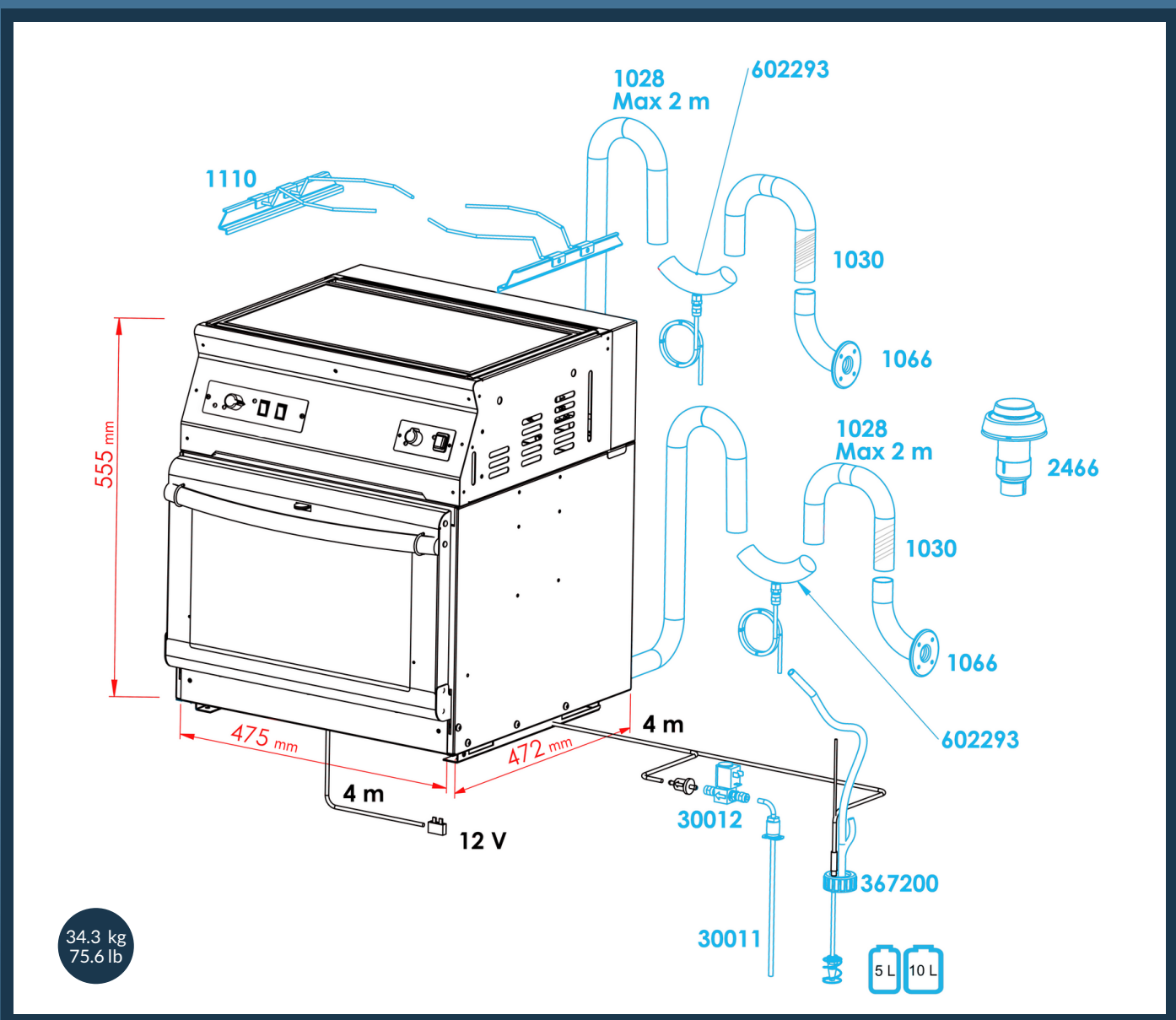
Ceramic stove is easy to operate and keep clean.

SPECIFICATIONS

Fuel:	Diesel
Oven heating power:	1000-2200 W (3,400-7,500 BTU)
Stove heating power:	900-1900 W (3,000-6,400 BTU)
Operating voltage:	12 V
Oven fuel consumption:	0,1-0,25 l/h (3.3-8.5 oz/h)
Stove fuel consumption:	0,09-0,19 l/h (3.0-6.4 oz/h)
Oven Electricity consumption:	1.6 A
Stove Electricity consumption:	0.19 A
Colors:	Stainless steel

COMPLETE OFF-GRID COOKING SOLUTION

The world's first automatic diesel convection oven has a thermostat-controlled fan for fast and accurate cooking times. Wallas 87 D stove-oven is perfect for long boating trips, when electricity is limited.



Accessories in black come with the standard package. Accessories in blue are additional. The calculated values are measured in a reference measurement wall, which is constructed to respond to a typical boat installation. The technical values have been measured with the maximum length of ducting, exhaust pipe, fuel line, and power cord. The figures allow for 10% reserve - yours may vary.

All rights reserved. Wallas-Marin reserves the right to change or improve its products and to make changes in the content of this product material without obligation to notify any person or organization of such changes or improvements. Go to www.wallas.com for current updates and supplemental information concerning this product.

